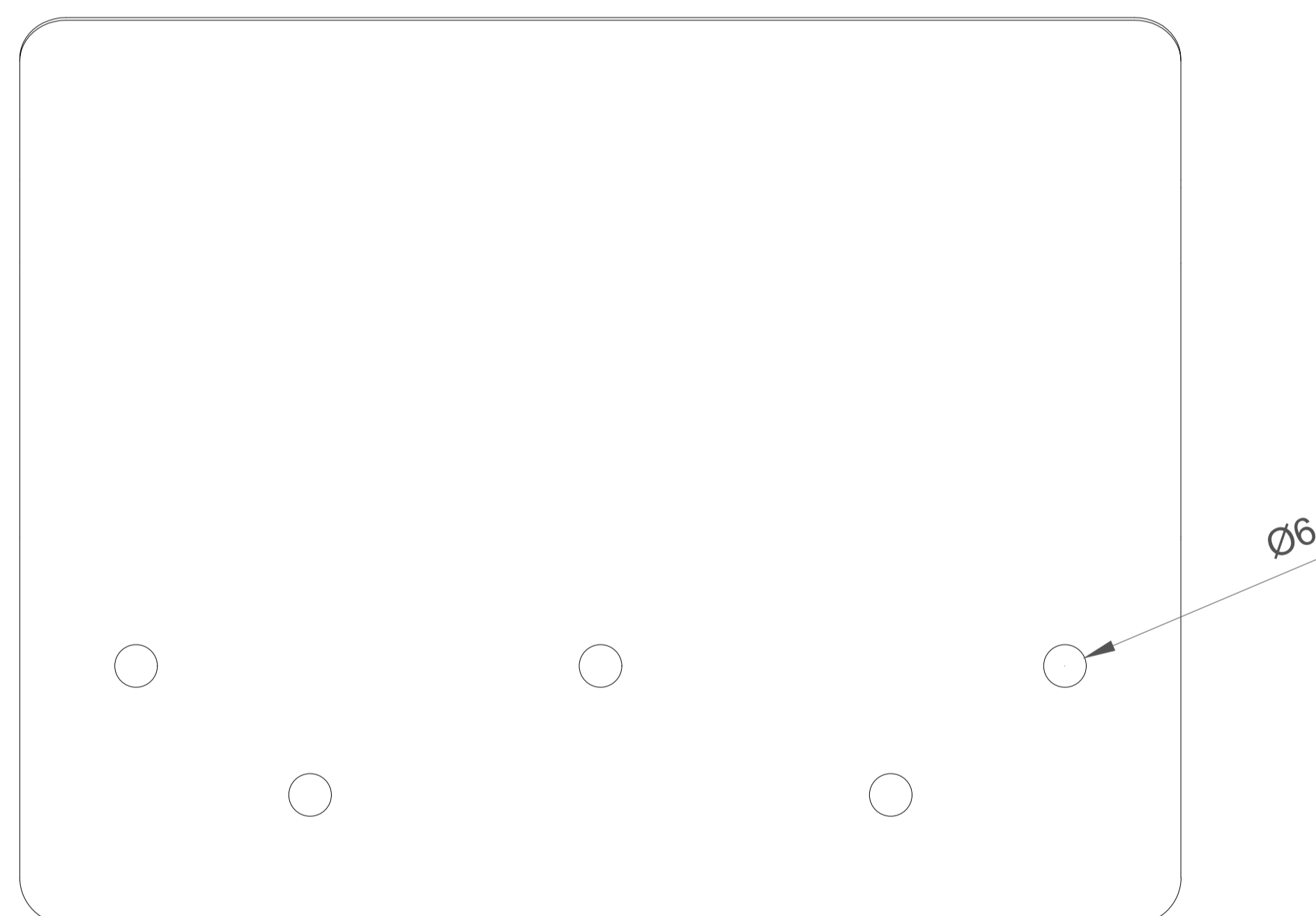
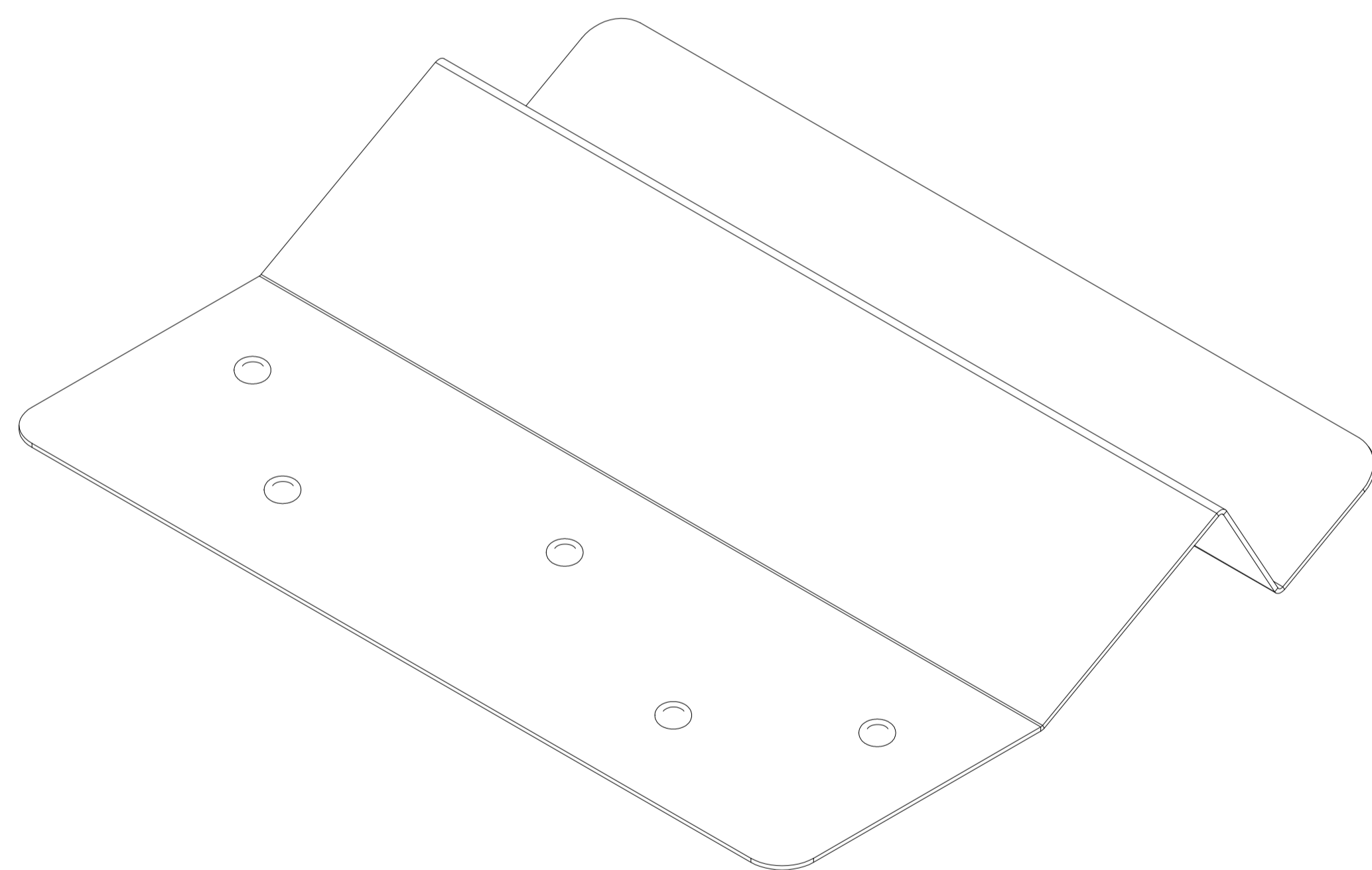
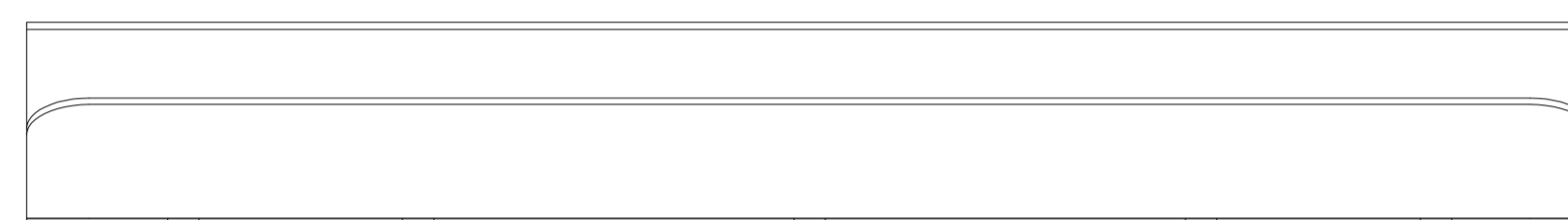
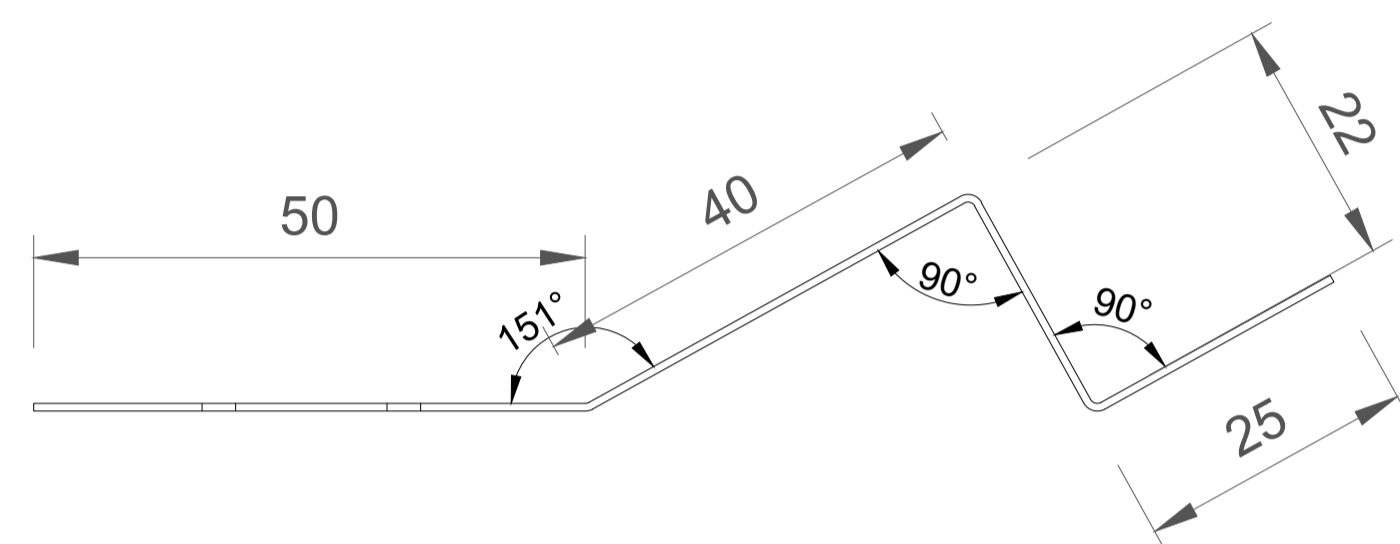


Tata Steel retain the right to amend the construction and technical specifications shown on this drawing without prior notice.



**Building Systems UK**  
A Tata Steel enterprise

Technical Office - TEL : 01244 892199  
[www.buildingsystemsuk.co.uk](http://www.buildingsystemsuk.co.uk)

PROJECT

Trisofix<sup>®</sup>  
Components

TITLE

Corner Clip (150mm)

DRAWN BY

AD

SCALE

NTS

APPROVED BY

JCA

TOLERANCES

DATE

N/A

DRG. No.

Trisofix 06

© Building Systems UK